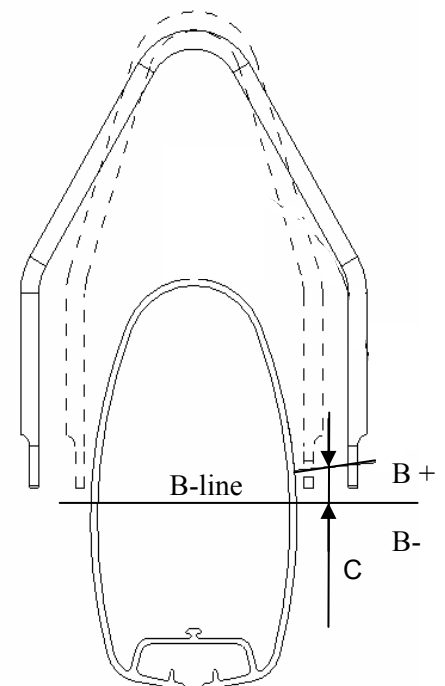
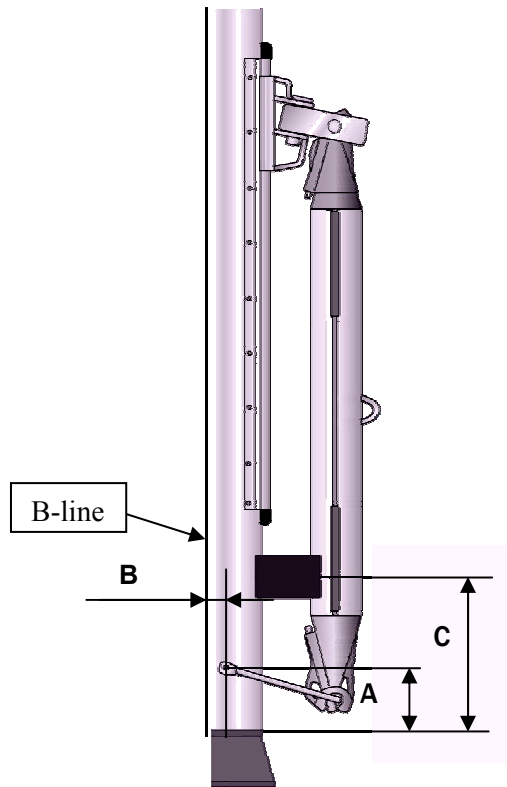


## Loop and Support Kit No. 508-090-02. Instructions for assembly.

Section Dimension	A	B	C
C175	200	B	350
C193	200	B	350
C211	200	B	350
C227	200	B+15	350
C245	200	B+35	350
C264	200	B+50	350
C285	200	B+80	350
F176	200	B-10	350
F194	200	B-10	350
F212	200	B-10	350
F228	200	B+35	350
F246	200	B+35	350
F265	200	B+50	350
F286	200	B+80	350

Section Dimension	A	B	C
155/104	150	B	350
170/115	100	B	350
177/124	100	B	350
189/132	100	B	350
206/139	100	B	350
224/150	100	B	350
237/162	100	B	350
190/94	190	B+15	350
213/104	190	B+15	350
235/116	190	B+10	350
232/126	190	B+45	350
260/136	100	B+25	350



1. Mark the position of the holes for the loop. Use a tape measure for dimension B.
2. Adjust the loop in a vice acc. to the figure. There should be a total play of about 5 mm between the loop and the mast.
3. Check that the loop does not interfere with deck hardware etc.
4. Drill two  $\varnothing 6.5$  holes. Fit the plastic washers between the loop and the mast and rivet the loop to the mast. Punch out the mandrel heads.
5. Drill and tap the M8-holes (c/c 20 mm) for the support. Apply locking adhesive to the screws and fit the support.

**CAUTION:** Cables and halyards inside mast.

To avoid damage when drilling holes, use a depth stopper on the drill bit.