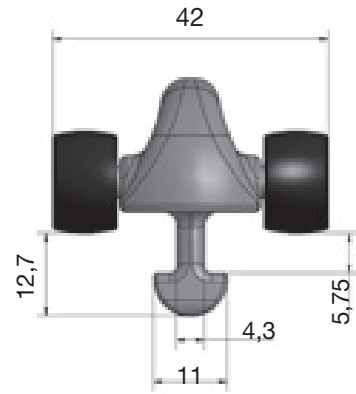
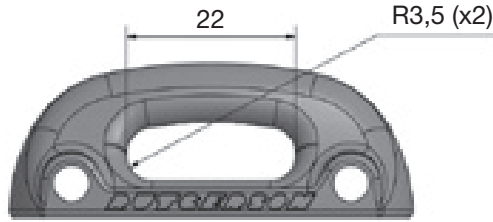
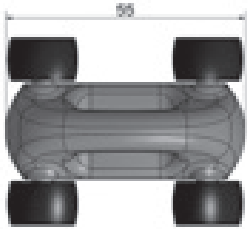
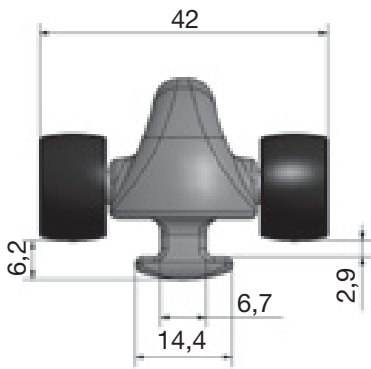




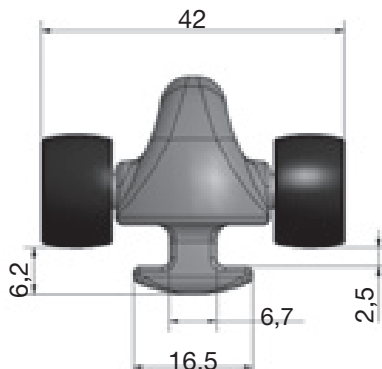
PRESSURE ABSORBING SLIDES



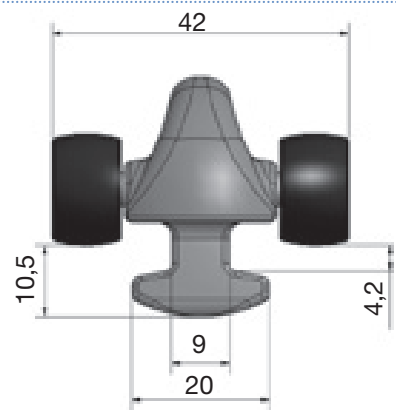
1525-11



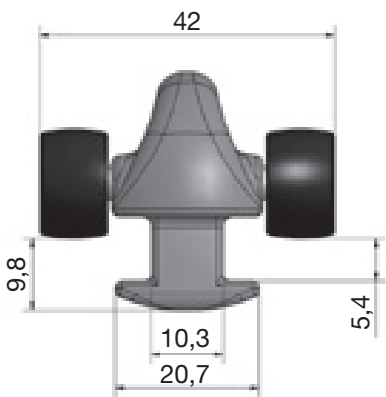
1525-16



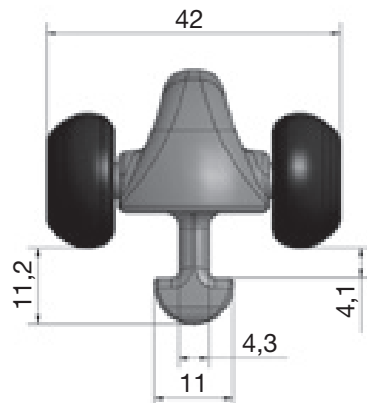
1525-19



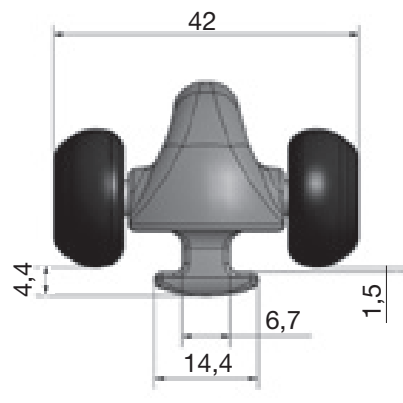
1525-20



1525-23



1526-11



1526-16

| Part no | Product description | Wheel Ø [mm] | Recommended fitting | Packed per |
|----------------------------------|--|--------------|------------------------|------------|
| PRESSURE ABSORBING SLIDES | | | | |
| 1525-11 | Pressure absorbing slide 11mm | 15,5 | 1490, 1490G or Webbing | 10 |
| 1525-16 | Pressure absorbing slide 16mm | 15,5 | 1490, 1490G or Webbing | 10 |
| 1525-19 | Pressure absorbing slide 19mm | 15,5 | 1490, 1490G or Webbing | 10 |
| 1525-20 | Pressure absorbing slide 20mm | 15,5 | 1490, 1490G or Webbing | 10 |
| 1525-23 | Pressure absorbing slide 23mm | 15,5 | 1490, 1490G or Webbing | 10 |
| 1526-11 | Pressure absorbing slide 11mm (big wheels) | 19,5 | 1490, 1490G or Webbing | 10 |
| 1526-16 | Pressure absorbing slide 16mm (big wheels) | 19,5 | 1490, 1490G or Webbing | 10 |

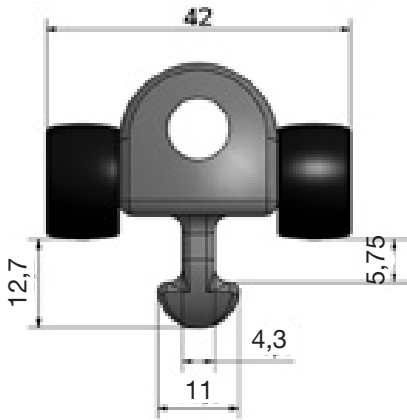
General tolerances for all dimentions equals $\pm 0,5$ mm

BATTCARS

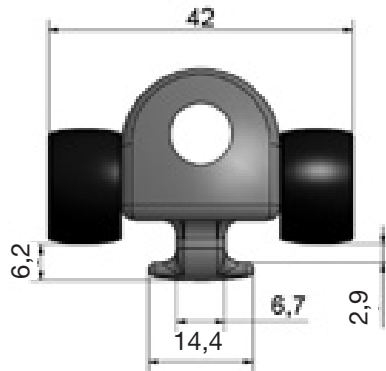
The Rutgerson Battcar solution has proven to be a winner for sailors on all oceans and in all environments. Available for a wide variety of mast applications, this fullbatten car makes the mainsail safer and simpler to handle and trim whilst sailing by requiring minimum maintenance, and is easy to hoist and lower.

All Rutgerson Battcars have a tolerance of 0,5mm.

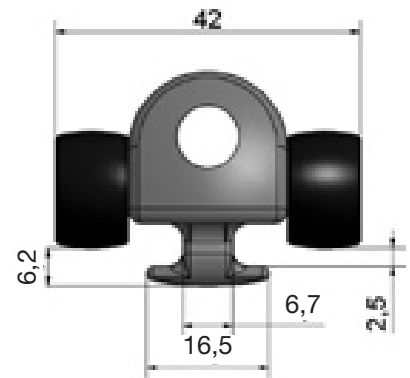
Battcar general dimensions



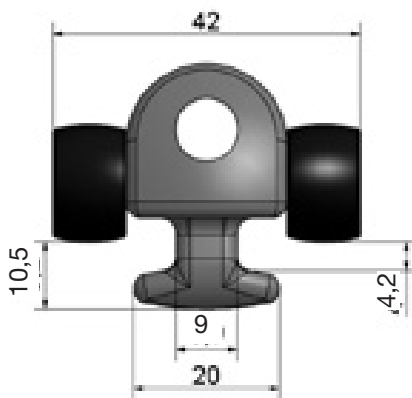
Body
1530-11-XX & 1535-11-XX



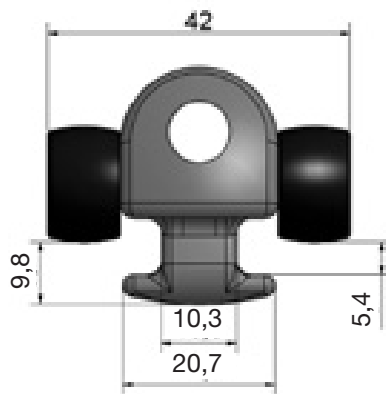
Body
1530-16-XX



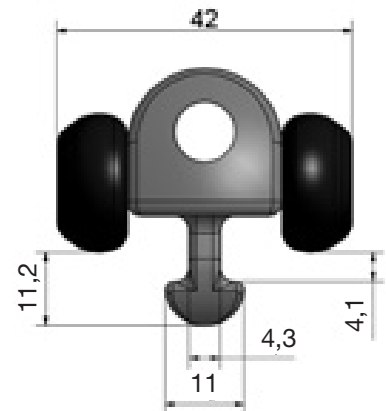
Body
1530-19-XX



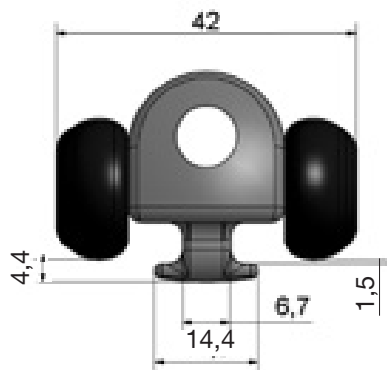
Body
1530-20-XX & 1535-20-XX



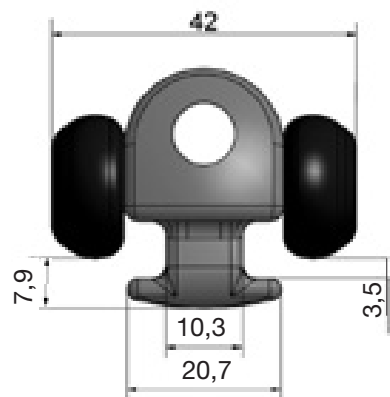
Body
1530-23-XX & 1535-23-XX



Body
1531-11-XX & 1536-11-XX



Body
1531-16-XX & 1536-16-XX



Body
1531-23-XX & 1536-23-XX

Please see page 32 for help guide and mast selection guide